

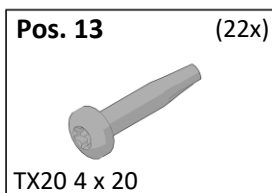
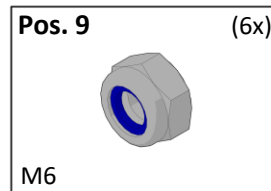
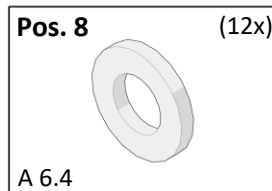
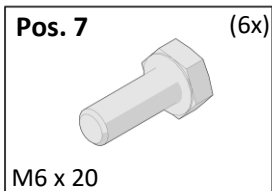
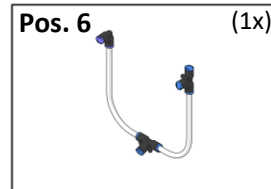
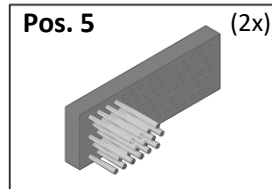
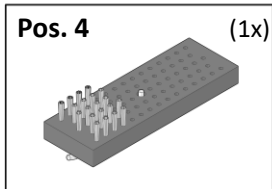
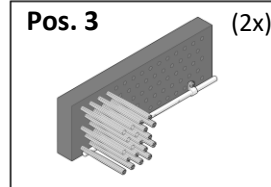
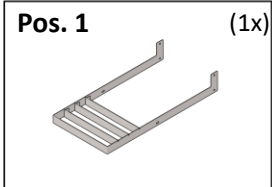
296900 – Boot cleaner Mod. 2024



SW 10



TX 20



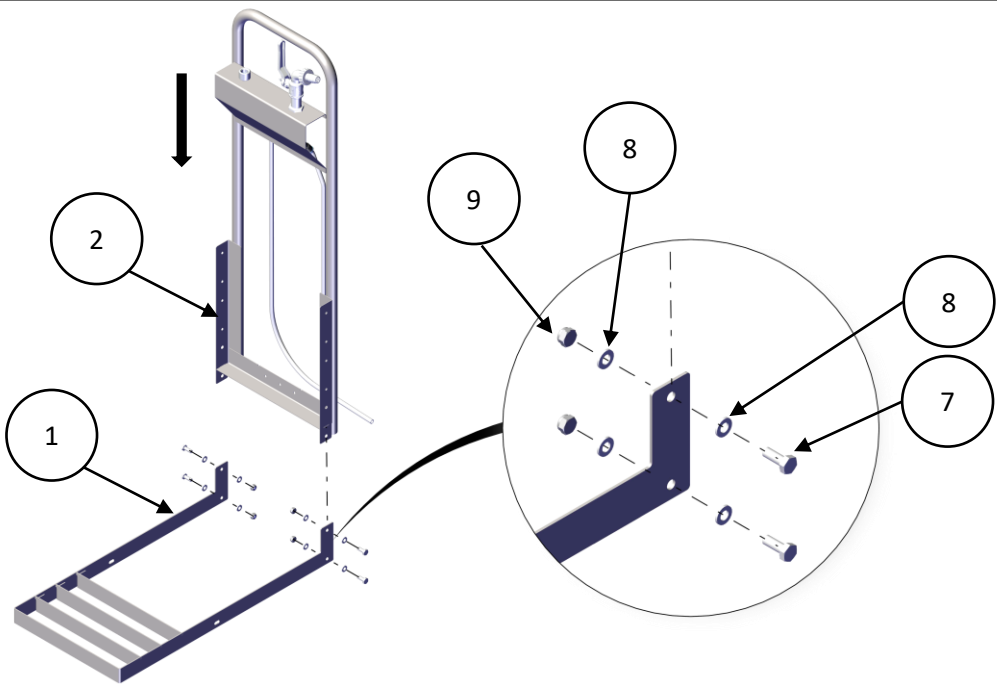
Albert Kerbl GmbH
 Felizenzell 9
 84428 Buchbach, Germany
 Tel. +49 8086 933 - 100
 Fax +49 8086 933 - 500
 info@kerbl.de
 www.kerbl.de

Kerbl France Sarl
 3 rue Henri Rouby, B.P 46 Soultz
 68501 Guebwiller Cedex, France
 Tel. : +33 3 89 62 15 00
 Fax : +33 3 89 83 04 46
 info@kerbl-france.com
 www.kerbl-france.com

Kerbl UK Ltd
 8 Lands End Way
 Oakham, Rutland
 LE15 6RF, UK
 Phone: +44 01572 722558
 enquiries@kerbl.co.uk
 www.kerbl.co.uk



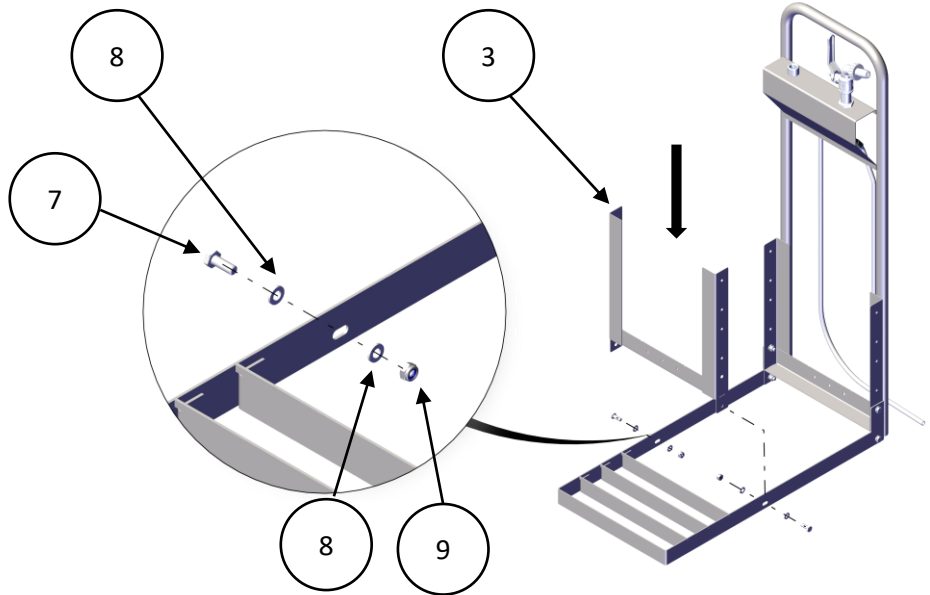
1



- 1 1x
- 2 1x
- 7 4x
- 8 8x
- 9 4x

SW 10

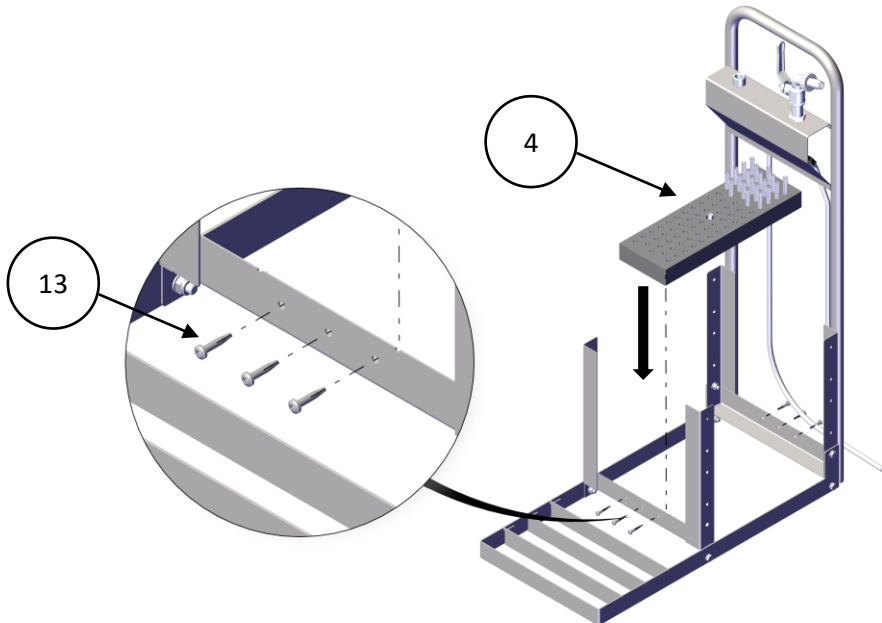
2



- 3 1x
- 7 2x
- 8 4x
- 9 2x

SW 10

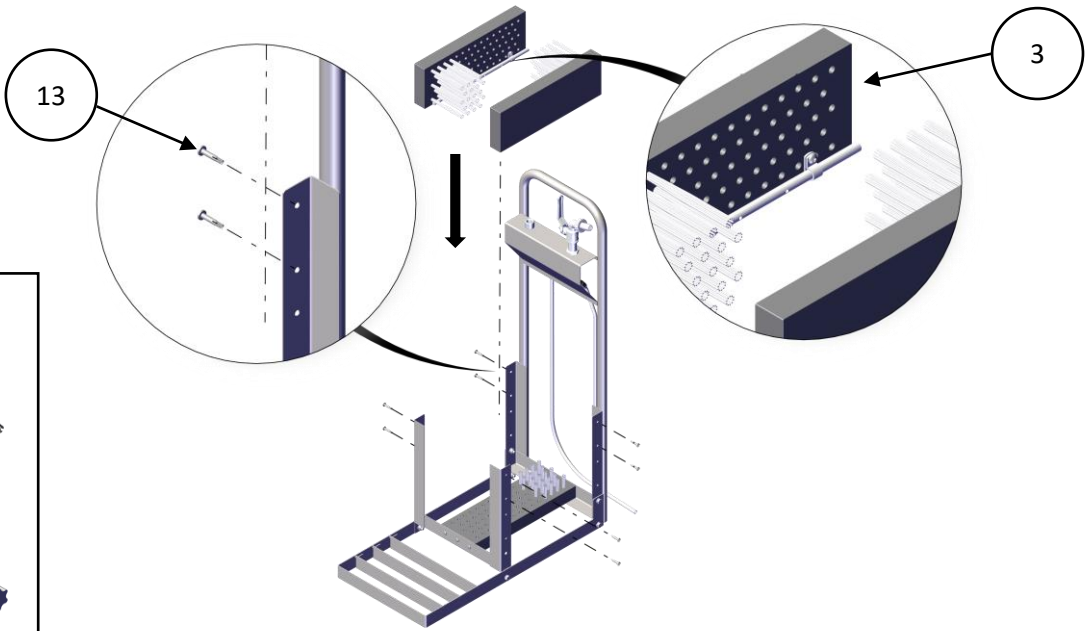
3



- 4 1x
- 13 6x

TX 20

4

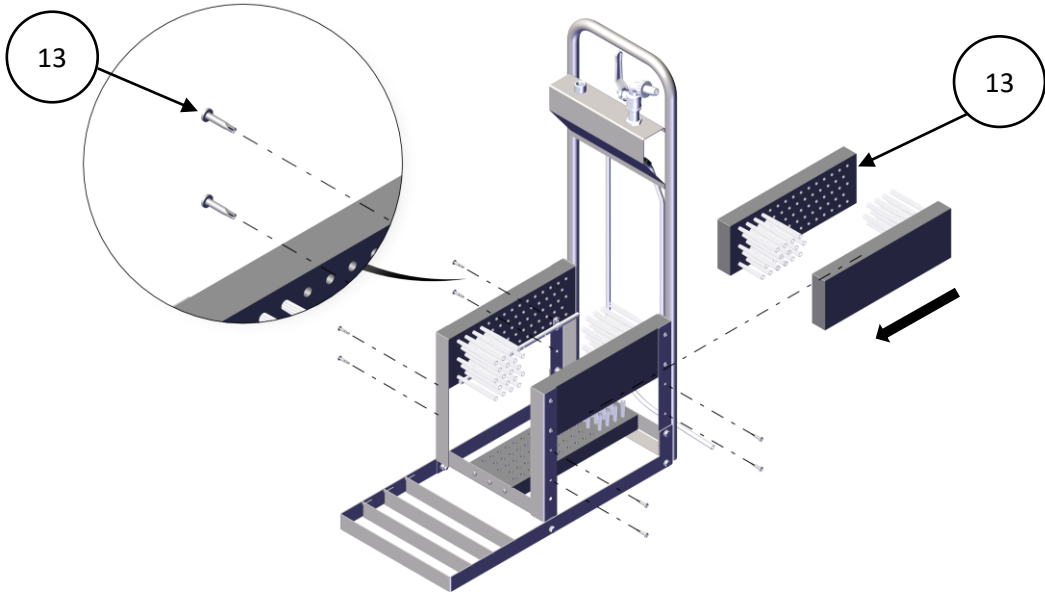


3 2x
13 8x



TX 20

5

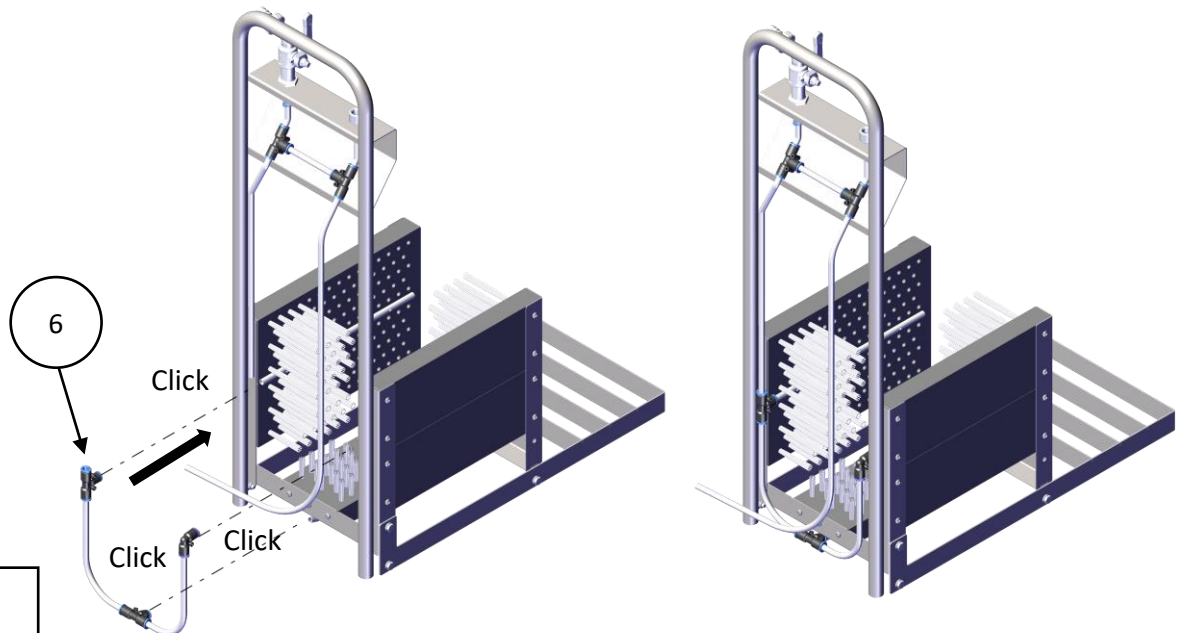


5 2x
13 8x



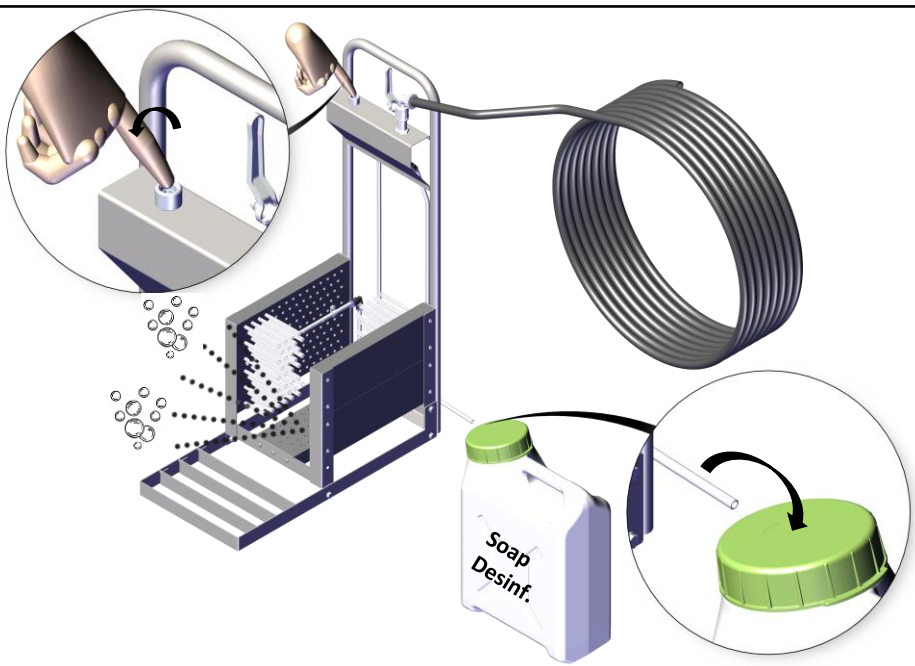
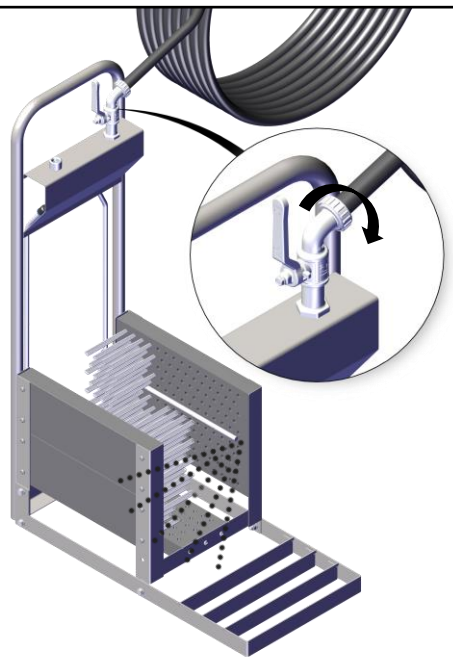
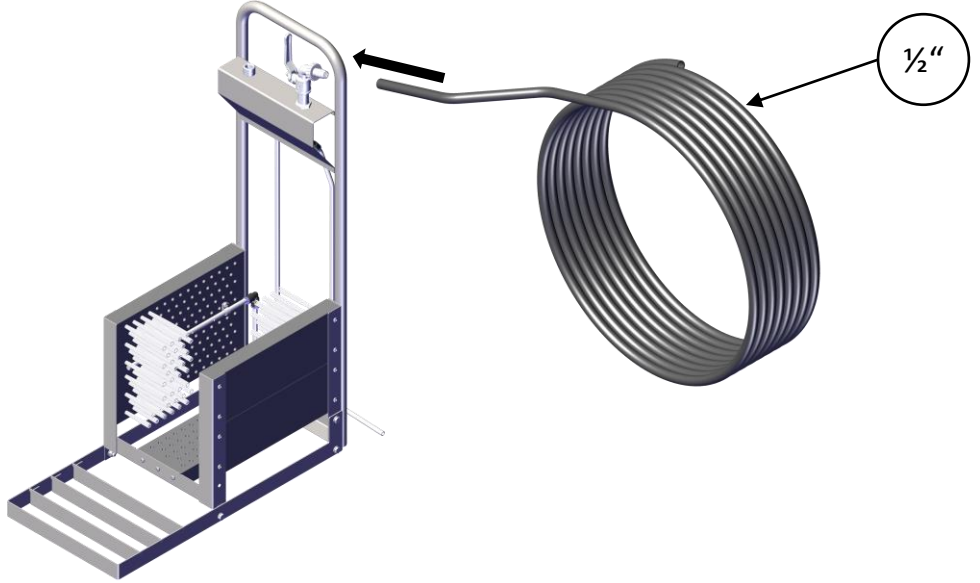
TX 20

6



6 1x

7



296900 – Spare parts

