



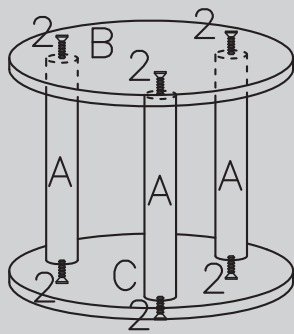
# KERBL Pet

#81550

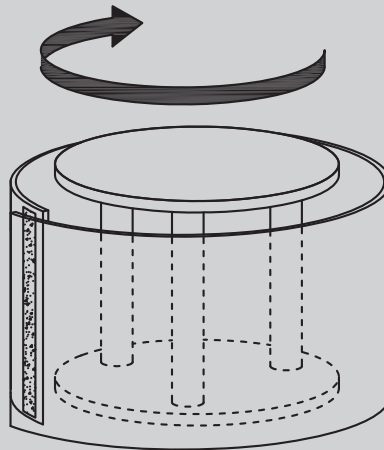


- |                |                  |     |              |     |     |     |     |
|----------------|------------------|-----|--------------|-----|-----|-----|-----|
| 1              | 2                | 3   | A            | B   | C   | D   | E   |
|                |                  |     |              |     |     |     |     |
| M8*35mm<br>2PC | M6*35mm<br>12PCS | 1PC | 40cm<br>6PCS | 1PC | 1PC | 1PC | 1PC |

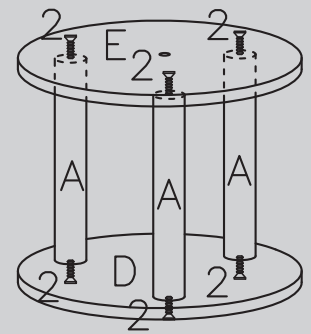
cat cave 1  
STEP 1



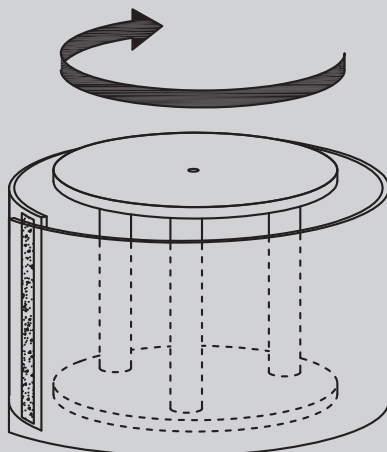
STEP 2



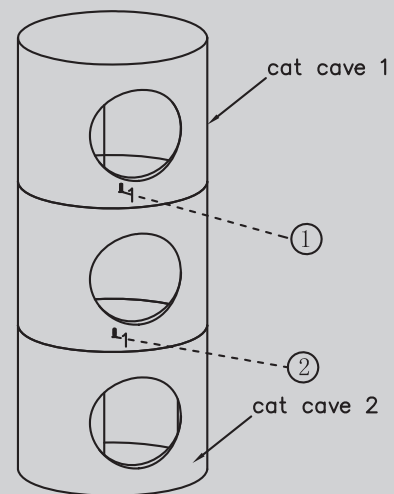
cat cave 2  
STEP 3



STEP 4



STEP 5



(DE) Bitte halten Sie die Reihenfolge der Arbeitsschritte 1,2,3,... von der Skizze ein.

(FR) Veuillez suivre la sequence du Workflow 1, 2, 3 ...comme vous pouvez le voir sur le schema.

(EN) Pls follow the sequence of the workflow 1,2,3,... as you can see on the draft.

Albert Kerbl GmbH  
Felizenzell 9  
84428 Buchbach, Germany  
Tel. +49 8086 933 - 100  
Fax +49 8086 933 - 500  
E-Mail info@kerbl.de  
www.kerbl.de

Kerbl Austria Handels GmbH  
Wirtschaftspark 1  
9130 Poggersdorf  
Tel. +43 4224 81555  
Fax. +43 4224 81555-629  
E-Mail order@kerbl-austria.at  
www.kerbl-austria.at

Kerbl France Sarl  
3 rue Henri Rouby, B.P 46 Soultz  
68501 Guebwiller Cedex, France  
Tel. +33 3 89 62 15 00  
Fax +33 3 89 83 04 46  
E-Mail info@kerbl-france.com  
www.kerbl-france.com

Kerbl UK Limited  
8 Lands End Way  
Oakham, Rutland  
LE15 6RF UK  
Phone +44 01572 722558  
Fax +44 01572 757614  
E-Mail enquiries@kerbl.co.uk  
www.kerbl.co.uk